

March 2023

Handles a Wide Array of Instrumentation

The versatile construction of the **SB** stainless steel enclosure makes it ideal for use with any manufacturer's hockey-puck units. It protects all Moore Industries' hockey-puck instruments, including the following products:

Temperature Transmitters	RIY, TIY, TDY, TDZ ³ , STZ
Isolators and Converters	ACX, FDY, MVX, SCX, SDY
Display	DSX, DVX, PSD, SLD

Non-Corrosive Stainless Steel 316, Electropolished and Passivated

Meeting NEMA 4X and IP66 ratings, the **SB** stainless steel enclosure is designed for highly corrosive environments like offshore platforms, and for clean environments such as those required for food and pharmaceutical processing applications.

Explosion-Proof and General Locations

The **SB** enclosure provides superior explosion-proof protection for field-mounted units, and meets standards for enclosing indoor and outdoor electronic instruments approved for use in explosion-proof, dust-ignition proof, and intrinsically-safe locations.

Durable, Secure Glass or Metal Cover

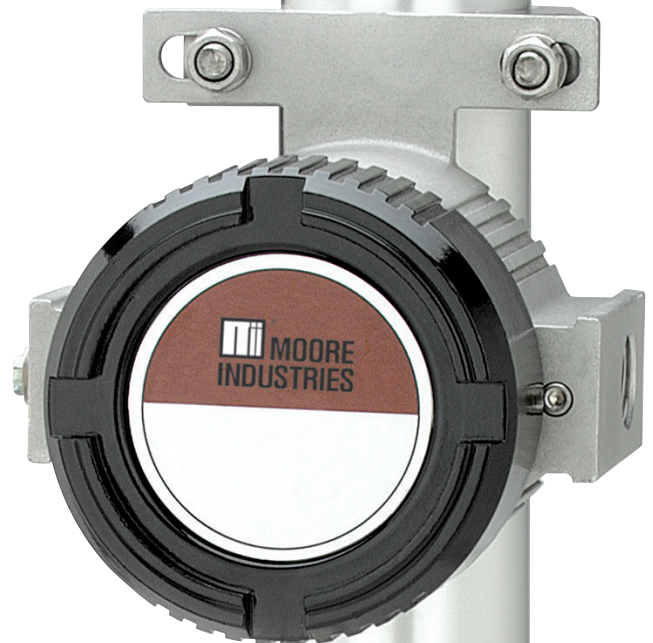
Instrument indicators, such as process displays and alarm LED's, can be easily viewed without removing the clear glass cover (**G** cover). Both the glass and metal covers include a locking screw for security.

Surface or Pipe-Mount Installation

The **SB** enclosure installs conveniently on any surface using the standard mounting bracket, or on a 2-inch pipe using our stainless steel pipe mount hardware (**P** option).



Clear Glass Cover



Solid Metal Cover

Certifications



CSA International
Explosion-Proof*
Class I, Division 1, Groups A*, B, C, D
Class II, Division 1, Groups E, F, G
Class III, Division 1
Type 4X, IP66

ANZEx Test Safe - ANZEx (Australia) Flameproof
Ex d IIC T6 (Tamb 60°C) IP66
ANZEx 07.3027



Factory Mutual Approvals
Explosion-Proof*
Class I, Division 1, Groups A*, B, C, D
Dust-Ignition Proof
Class II & III, Division 1, Groups E, F, G
NEMA 4X; IP66; T6 @ 60°C
Max. Amb.



ATEX Directive 2014/34/EU (ISseP): Flameproof
⊕ II 2 G Ex d IIC; T6 Gb
⊕ II 2 D Ex tD A21 IP66



CE Conformant:
RoHS Directive 2011/65/EU - EN 50581

* Group A only: Seal all conduits within 18".

SB

Stainless Steel, Explosion-Proof Enclosure for Hockey-Puck Instruments

Specifications

All Body, Cover, and Tag Materials	Stainless Steel 316 (electropolished and passivated)	Weight	2.6kg (7 lbs)
---	--	---------------	---------------

Ordering Information

Enclosure	# of Hubs	Conduit Entry Port	Cover	Options
SB Stainless steel, explosion-proof field-mount enclosure for hockey puck instruments	2 Two hubs	M M20 x 1.5 metric conduit side entry ports N ½-inch NPT conduit side entry ports T ¾-inch NPT conduit side entry ports	G Glass S Solid	A TestSafe-ANZEx (Australia) Flameproof with sensor assemblies† E ISSEP-ATEX (Europe) Flameproof with sensor assemblies† P Stainless Steel hardware for mounting the SB housing on a standard 2-inch pipe *P Pipe mounting hardware not required NOTE: For additional retrofit hardware for installing the SB onto existing Rosemount® brackets, order part number 205-231-10 . †Units with A or E option come equipped as standard with 2-inch pipe mount hardware.

When ordering the **SB** housing without instrumentation or as part of a line item order, specify:

Enclosure / Number of Hubs / Conduit Entry Port / Cover [Options]

Model number example:

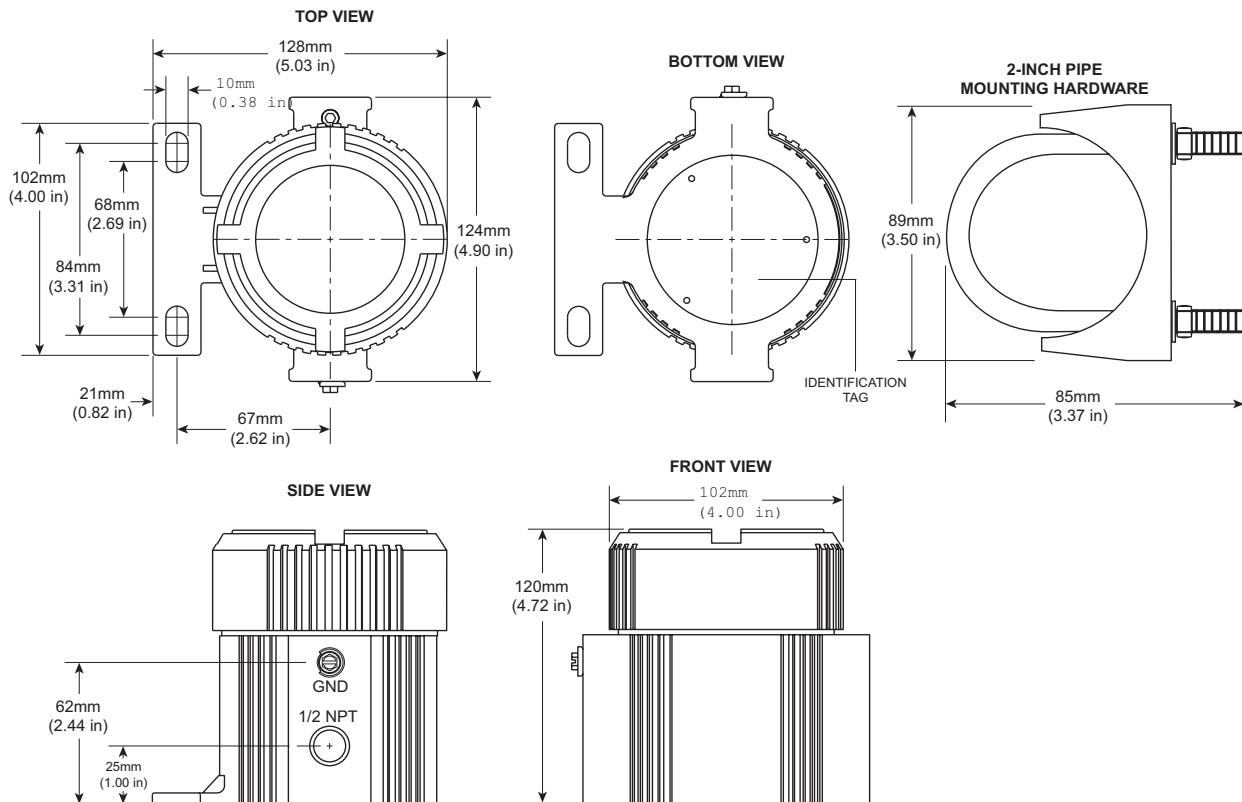
SB / 2 / N / G [P]

When ordering the **SB** housing as part of a transmitter order (such as a TDZ³), place this condensed model number (with brackets or strokes removed) within brackets at the end of the transmitter model number or refer to the transmitter data sheet:

Model number example:

TDZ3 / TPRG / 4-20MA / 12-42DC [SB2NGP]

Installation and Mounting Dimensions



United States • info@miinet.com
Tel: (818) 894-7111 • FAX: (818) 891-2816
Australia • sales@mooreind.com.au
Tel: (02) 8536-7200 • FAX: (02) 9525-7296

Demand Moore Reliability

www.miinet.com

BeNeLux • info@mooreind.eu
Tel: 03/448.10.18 • FAX: 03/440.17.97

China • sales@mooreind.sh.cn
Tel: 86-21-62491499 • FAX: 86-21-62490635
United Kingdom • sales@mooreind.com
Tel: 01293 514488 • FAX: 01293 536852